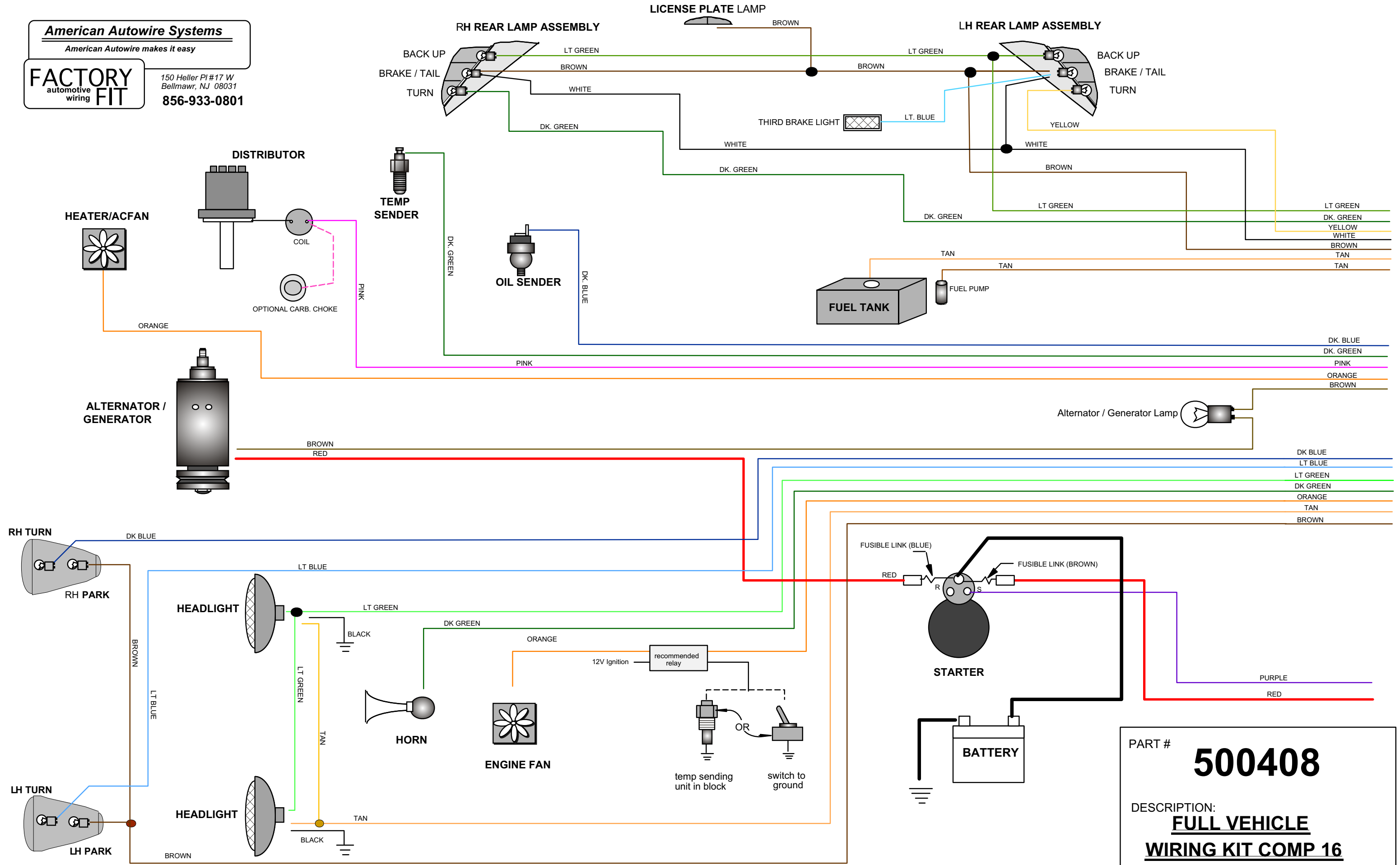


American Autowire Systems

American Autowire makes it easy

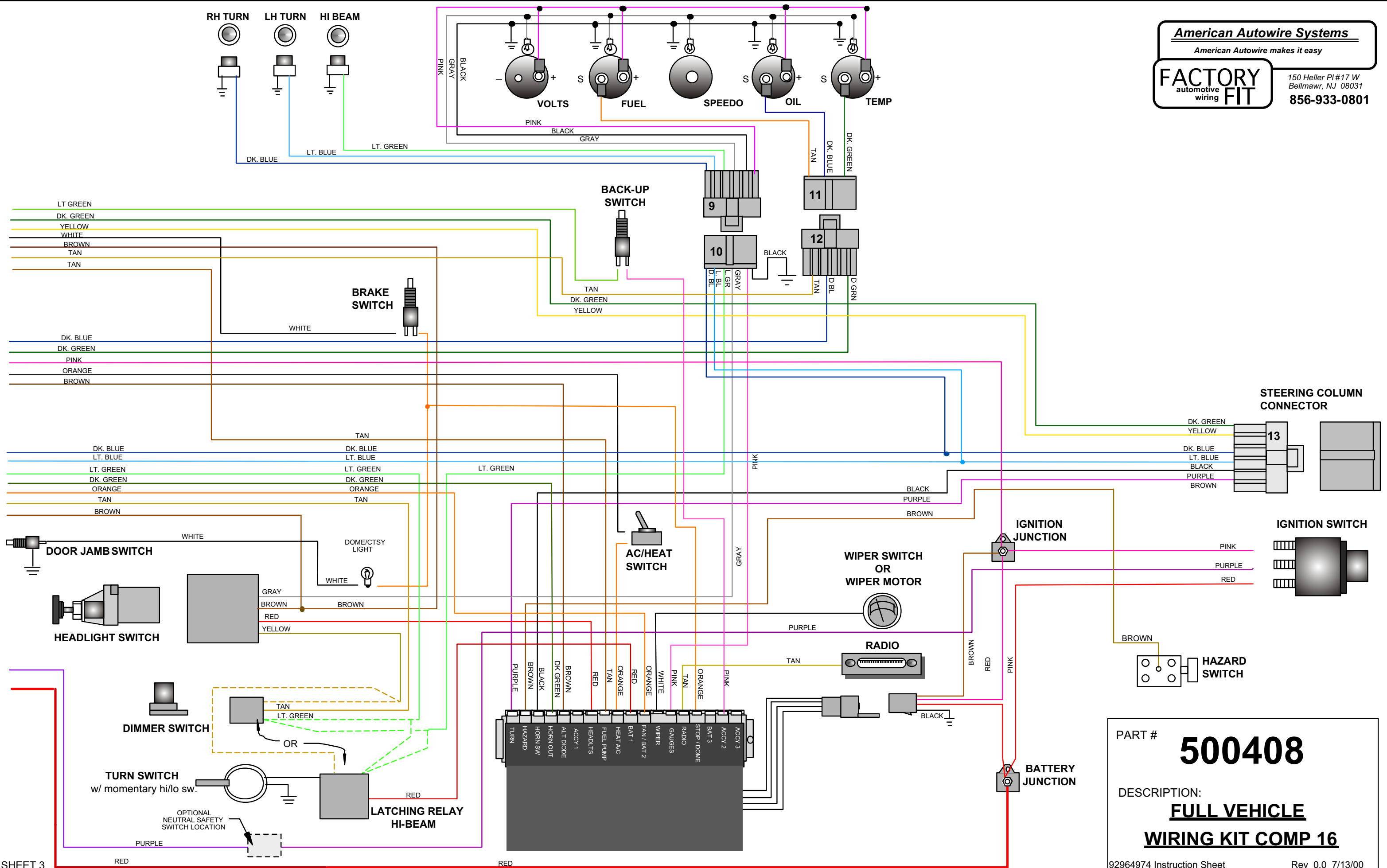
FACTORY FIT
automotive wiring

150 Heller Pl #17 W
Bellmawr, NJ 08031
856-933-0801



PART #
500408

DESCRIPTION:
**FULL VEHICLE
WIRING KIT COMP 16**



PART # **500408**

DESCRIPTION:
FULL VEHICLE
WIRING KIT COMP 16

92964974 Instruction Sheet Rev 0.0 7/13/00

100% MADE IN U.S.A.!

American Autowire Systems
American Autowire makes it easy

FACTORY
 automotive wiring **FIT**

150 Heller Pl #17 W
 Bellmawr, NJ 08031
856-933-0801

INSTALLATION INSTRUCTIONS

This wiring kit is designed for ease of installation. Please read the guidelines below, BEFORE STARTING your installation, to guarantee a successful job!

STEP 1: DISCONNECT YOUR BATTERY:

Disconnect the battery before installing the wiring kit to prevent any accidental shorting caused by loose bare wire ends.

STEP 2: MOUNT YOUR PANEL:

It is recommended that you mount your panel in the trunk in the original fuse panel location or under the rear seat.

STEP 3: START INSTALLING KIT:

This kit is broken down into individual steps that are identified by a letter printed on the instruction sheets visible through each bag. These letters are the order of operation for installing your kit. Start with the bag letter "A", then "B", etc. The order of installation is shown below.

- | | | |
|---|--------|--|
| A | 500419 | Ignition Switch and Starter Wiring Kit |
| B | 500422 | Alternator Connection Kit |
| C | 500420 | Headlight Switch / Accessory Kit |
| D | 500421 | Steering Column / Turn Signal Connection Kit |
| E | 500353 | Gauge Connection Kit |

STEP 4: RECONNECT YOUR BATTERY:

When you have completed the installation and are ready to reconnect the battery, make sure that the following electrical system grounds are in place:

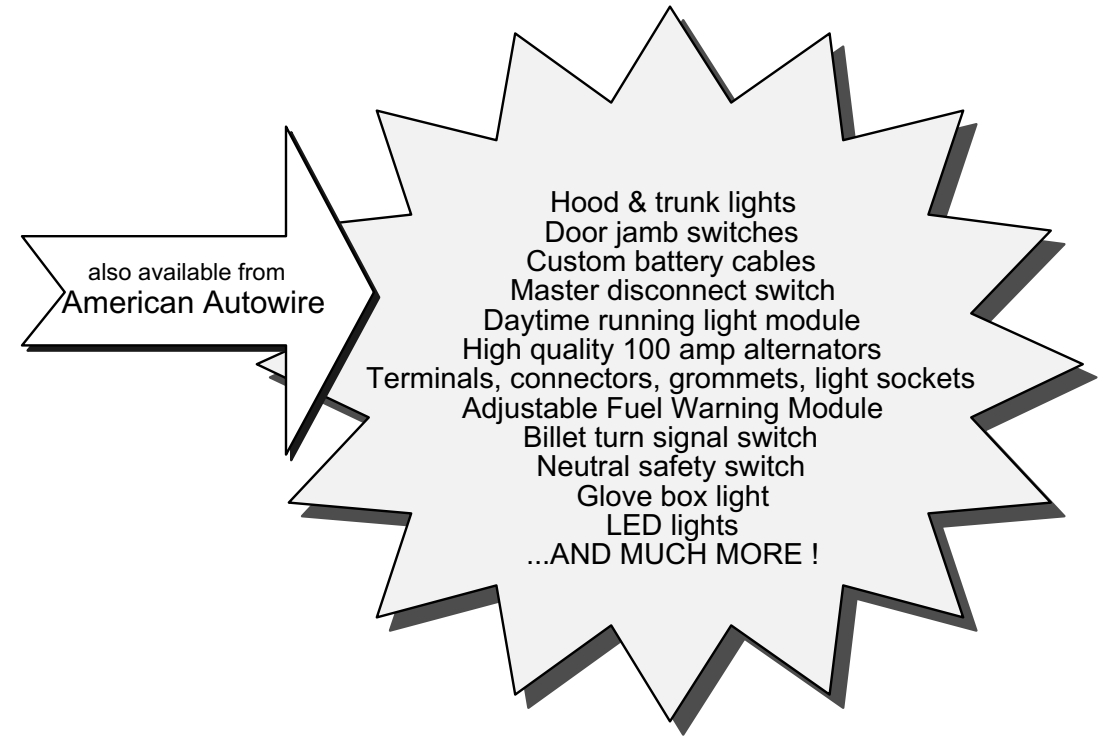
- A. Battery is grounded to the chassis.
- B. Engine block is grounded to the chassis.

STEP 5: CHECK ALL ELECTRICAL FUNCTIONS:

Any non-functioning items should be checked for proper installation. Any problems with your wiring and electrical circuit functions should be addressed to American Autowire Systems, Inc. as soon as possible to avoid any warranty problems.

If you have any questions concerning this or any of our products, please feel free to call us at 1-800-482-WIRE.

"AMERICAN AUTOWIRE MAKES IT EASY!!"



OPTIONAL ACCESSORY KITS

- | | | |
|--------------------------|------------|--|
| Anti-Theft Relay Kit | p/n 500239 | Relay control of starter circuit. |
| Brake Light switch Kit | p/n 500111 | Relay control of brake lights using hydraulic brake switches. |
| Courtesy Light Kit | p/n 500081 | Under dash lighting harness complete with mountable lamp sockets |
| Dual Relay Kit | p/n 500338 | Use for any two heavy circuits, complete with mounting legs. |
| Headlight Connection Kit | p/n 500113 | Special kit for difficult headlight mount applications. |
| Universal Relay Kit | p/n 500142 | Use for any heavy duty application requiring a relay. |

American Autowire Systems
American Autowire makes it easy

FACTORY
 automotive wiring **FIT**

150 Heller Pl #17 W
 Bellmawr, NJ 08031
856-933-0801

PART #
500408

DESCRIPTION:
FULL VEHICLE WIRING KIT COMP 16

92964974 Instruction Sheet Rev 0.0 7/13/00